

FALVENT

LONG CASED AXIAL FANS



Falvent is a leading manufacture of ventilation solutions for industrial and commercial applications. With a focus on innovation and customer satisfaction, we offer a range of products designed to meet the unique needs of our clients. Our team of experts is dedicated to delivering high-quality products and exceptional service.



ABOUT OUR LONG CASED AXIAL FAN

Falvent assemble and design the finest axial fans on the market with competitive prices and our team works hard to ensure that you receive the highest quality custom-designed axial fans, precisely as ordered and delivered on time to meet your project goals.

The range of axial fan sizes and capacities cover low to medium pressure systems for ventilation as well as for removal and transport of air within practically all environments. Falvent axial fans obtained the UL Certification which guarantees the compliance of the products with the safety requirements. Falvent axial fans tested in accordance with UL-705 standard and certified in ZACT: Power Ventilators category and rigorous tests have been carried out via UL team like temperature test, water spray test, dielectric voltage test and starting current test. Thus, Falvent axial fans have product safety certification UL logo.

Falvent has met the requirements in ISO 9001, which defines an ISO 9001 Quality Management System (QMS) and obtained the ISO certification accordingly. Falvent axial fans has CE mark logo where it declared with EEE regulations and meets the requirements of the relevant European product safety legislation.



CASING

The fan casings are constructed from a heavy gauge sheet steel, rolled, spun flanged and fully welded, then epoxy coated after fabrication. Motor bases is placed inside the casings and constructed from a heavy gauge sheet steel. Both motors and axial impellers are mounted within the length of the casing. Sizes: 315, 355, 400, 450, 500, 560, 630, 710, 800, 900, 1000, 1120, 1250, 1400 & 1600 mm.



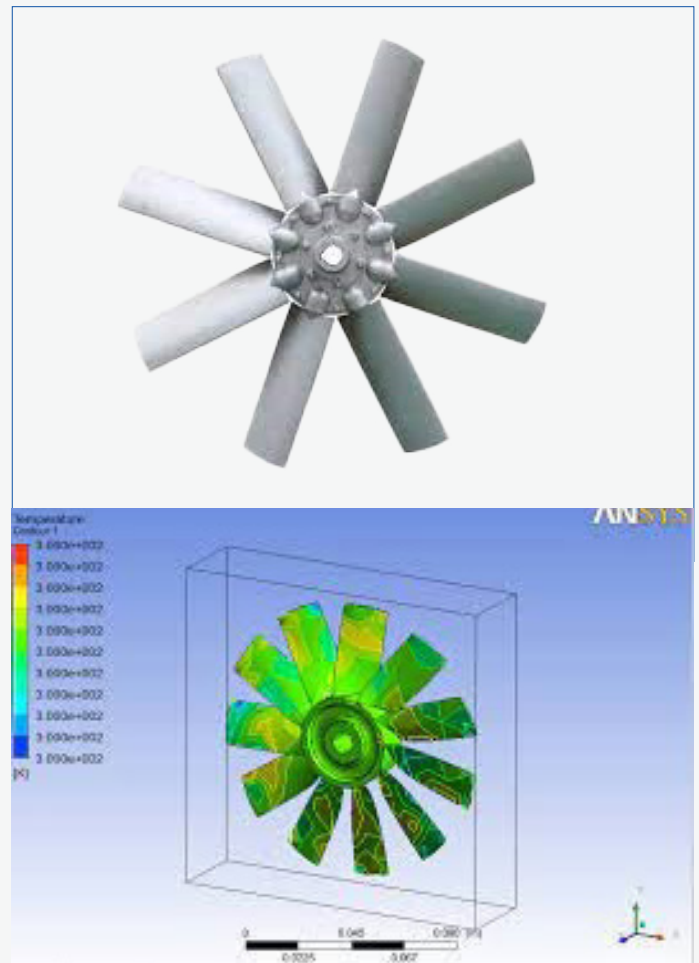
Two stage fans (two fans in series) are available for high static pressure. Pre-wired terminal block (rail mounted type) is fitted inside junction box (screw type) located on the outside of the fan casing for easy wiring access and protects all wiring connections against the ingress of dust and moisture. Wire pulls through liquid tight flexible conduit and connect with the junction box via connector. Terminal block, junction box, liquid tight flexible conduit and wire are UL certified.

IMPELLER

Impellers are manufactured from die-cast aluminum alloy, dynamically balanced according to ISO 1940-1 to minimize vibration levels and assure smooth operation.

Impeller blades are mounted into a hub and clamp plate assembly, which allows manual blade pitch angle adjustment that achieve the optimum selection.

The standard range comprises 15 sizes with impeller diameters from 315 to 1600 mm and 6 hub diameters from 280 to 550 mm. Optimized design through CFD simulation and actual testing.



MOTOR

All motors three Phase asynchronous motor, WEG brand, UL certified, IEC standard motors in IE3, with lower acquisition cost and high technology, easy installation, easy operation and low maintenance cost and suitable for the use with Frequency Inverters. Motors are foot mounted, totally enclosed type to IP55 with a standard industrial paint finish and Class F insulation, TEFC cooling method and wired via a weatherproofed cable.

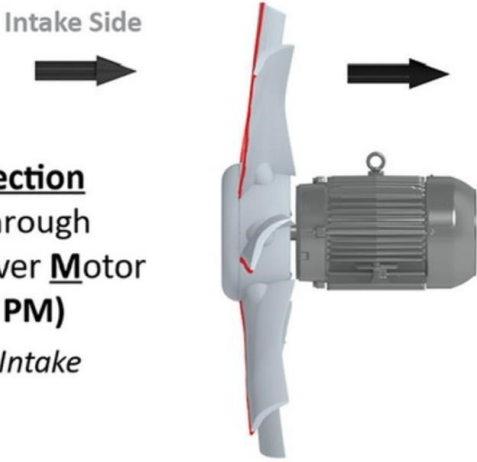


Motors are provided with Thermistor (PTC) with the resistance increasing drastically to a well-defined temperature figure. This sudden resistance variation blocks the PTC current, causing the output relay to operate, and the main circuit to switch-off. Motors are fitted with highest quality bearing selected and designed to ensure the long life time of the motors.

Electrical supply: 380-400V/60Hz/3Ph.

AIR FLOW DIRECTION

Air flow from impeller to motor is fitted as standard.



Airflow Direction
air passes through
ImPeller then over Motor
(Airflow = PM)
aka: Hub on Intake

ACCESSORIES

1. AXF Fan
2. Vibration Isolator
3. Mounting Feet
4. Wire Guard
5. Flexible Connector
6. Matching Flange
7. Back Draft Shutter
8. Sound Attenuator



PRODUCT CODE

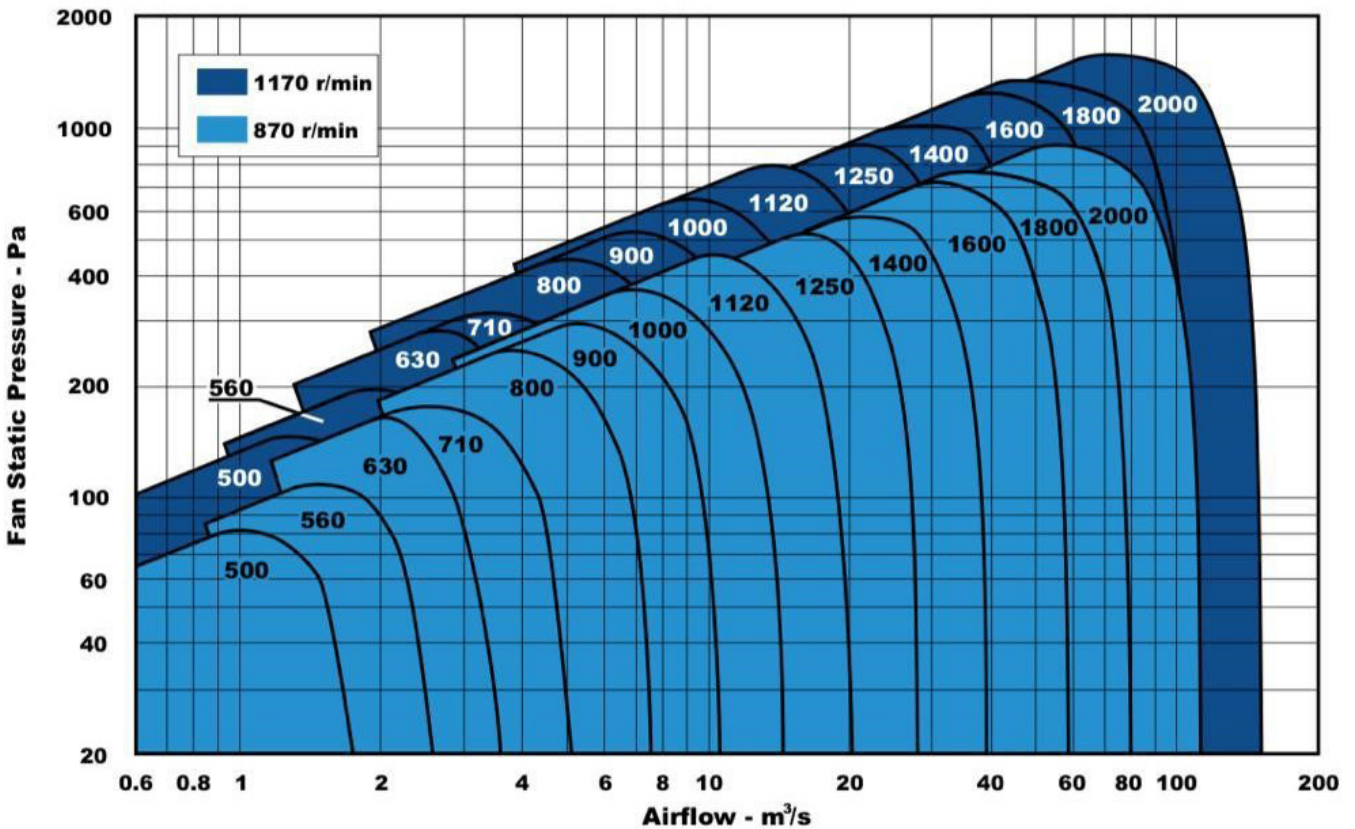
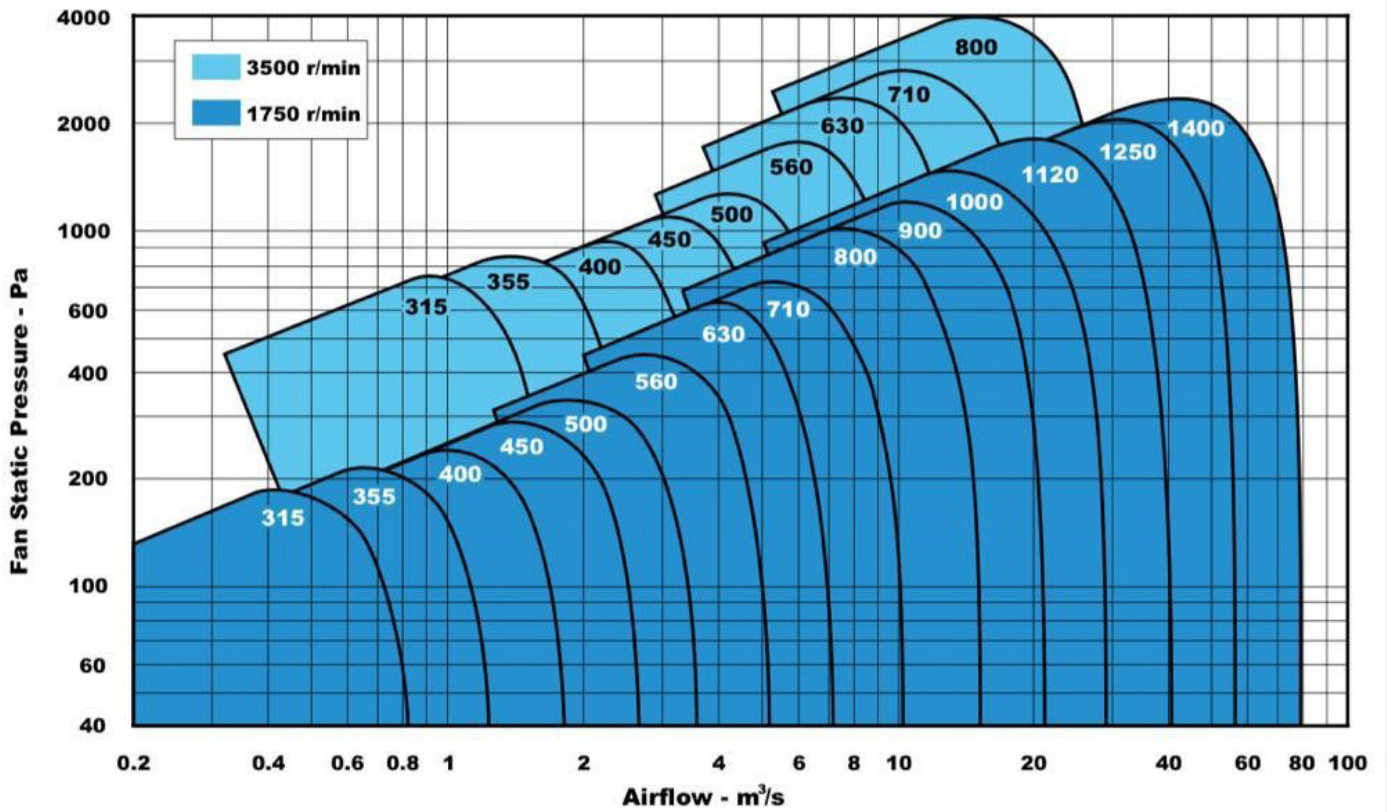
(AXF: 630 D4 2.2)

- AXF: denotes fan type
- 630: denotes impeller diameter in millimeters
- D: denotes 3 ph motor.
- 4: denotes a nominal 4 pole speed
- 2.2: denotes the motor power in kw.

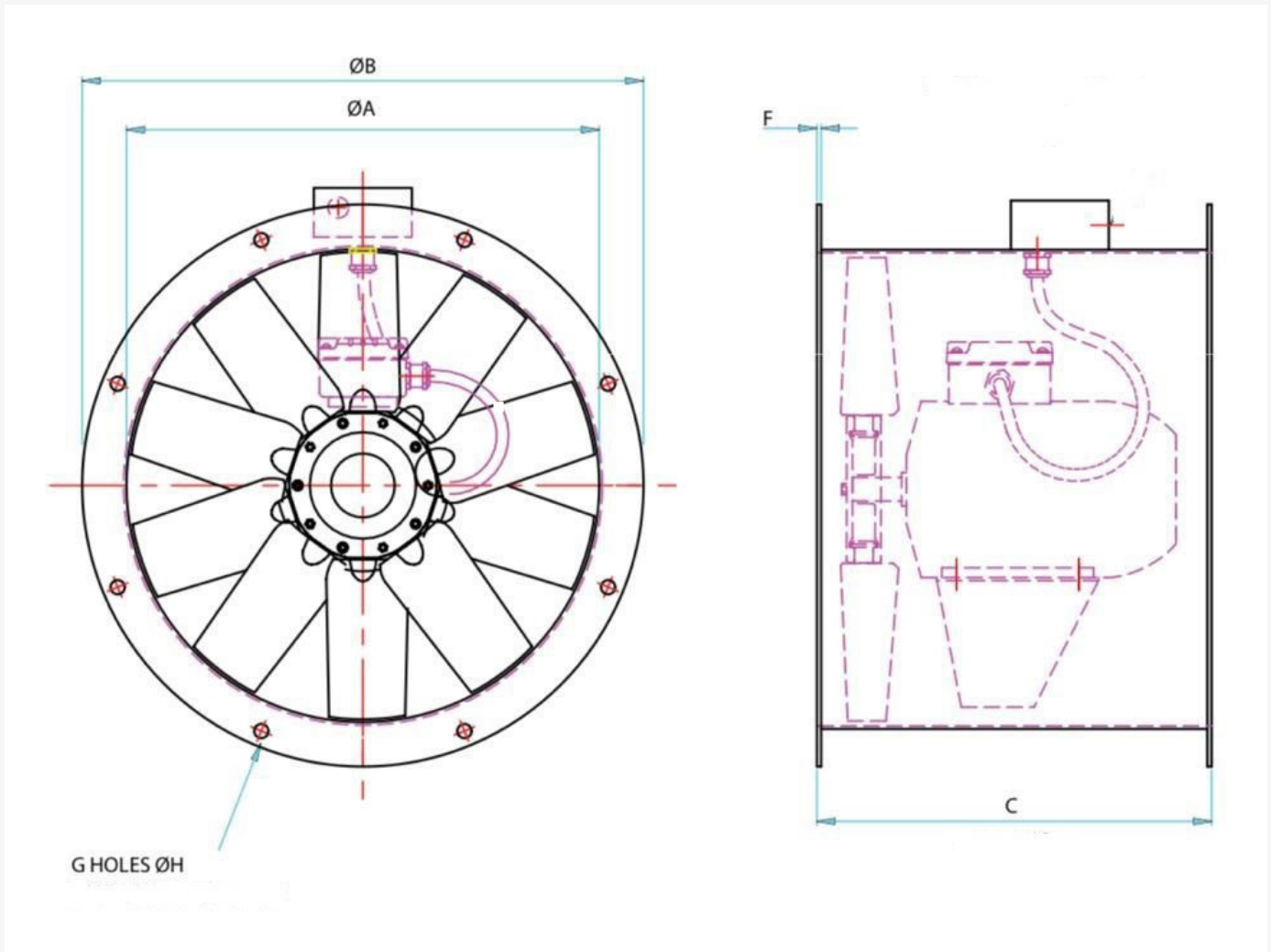
TECHNICAL CHARACTERISTICS

Model No.	Impeller Dia	Max Air Flow		P.out	Full Load Ampere	Voltag	Frequency	Phase	Speed	Noise Level
	mm	hr/m3	s/m3	(Kw)	(A)	(V)	(Hz)		rpm	db
AXF 315 D2 0.55	315	3250	0.90	0.55	1.26	380	60	3	3450	346805
AXF 315 D4 0.25	315	1550	0.43	0.25	0.739	380	60	3	1740	346806
AXF 315 D4 0.37	315	1760	0.49	0.37	0.96	380	60	3	1740	346807
AXF 355 D2 1.1	355	5880	1.63	1.1	2.33	380	60	3	3450	346808
AXF 355 D4 0.55	355	3100	0.86	0.55	1.23	380	60	3	1740	346809
AXF 400 D2 1.5	400	8600	2.39	1.5	3.09	380	60	3	3450	346810
AXF 400 D4 0.75	400	5150	1.43	0.75	1.71	380	60	3	1740	346811
AXF 450 D2 2.2	450	12750	3.54	2.2	4.45	380	60	3	3450	346812
AXF 450 D4 0.55	450	7100	1.97	0.55	1.23	380	60	3	1740	346813
AXF 500 D2 4.0	500	19630	5.45	4	7.6	380	60	3	3450	346814
AXF 500 D4 0.75	500	10400	2.89	0.75	1.68	380	60	3	1740	346815
AXF 560 D2 4.0	560	23400	6.50	4	7.6	380	60	3	3450	346816
AXF 560 D4 1.5	560	15300	4.25	1.5	3.15	380	60	3	1740	346817
AXF 630 D4 2.2	630	22100	6.14	2.2	4.72	380	60	3	1740	346818
AXF 630 D4 3.0	630	25400	7.06	3	6.98	380	60	3	1740	346819
AXF 630 D4 4.0	630	29250	8.13	4	8.03	380	60	3	1740	346820
AXF 710 D4 3.0	710	29400	8.17	3	6.98	380	60	3	1740	346821
AXF 710 D4 4.0	710	32600	9.06	4	8.03	380	60	3	1740	346822
AXF 710 D4 5.5	710	35100	9.75	5.5	10.4	380	60	3	1740	346823
AXF 710 D4 7.5	710	39150	10.88	7.5	14.2	380	60	3	1740	346824
AXF 800 D4 5.5	800	37450	10.40	5.5	10.4	380	60	3	1740	346825
AXF 800 D4 7.5	800	42550	11.82	7.5	14.2	380	60	3	1740	346826
AXF 900 D4 7.5	900	53000	14.72	7.5	14.2	380	60	3	1740	346827
AXF 900 D6 4.0	900	41500	11.53	4	8.99	380	60	3	1150	346828
AXF 1000 D4 15.0	1000	71850	19.96	15	28.7	380	60	3	1740	346829
AXF 1000 D4 18.5	1000	77100	21.42	18.5	33.9	380	60	3	1740	346830
AXF 1000 D6 5.5	1000	62270	17.30	5.5	12.5	380	60	3	1150	346831
AXF 1120 D4 18.5	1120	79800	22.17	18.5	33.9	380	60	3	1740	346832
AXF 1120 D6 7.5	1120	64900	18.03	7.5	15.9	380	60	3	1150	346833
AXF 1120 D6 11.0	1120	72400	20.11	11	22	380	60	3	1740	346834
AXF 1250 D4 37.0	1250	110650	30.74	37	66.1	380	60	3	1740	346835
AXF 1250 D6 15.0	1250	92400	25.67	15	28.3	380	60	3	1150	346836
AXF 1400 D6 30.0	1400	142500	39.58	30	58.8	380	60	3	1150	346837

PERFORMANCE CURVES



DIAMENSION DATA



THE DIMENSIONS OF THE LONG CASE AXIAL FANS DEPEND ON SEVERAL FACTORS AS FOLLOWS:

- Impeller diameter.
- Hub diameter.
- Motor size and dimensions.
- Base of Motor (B3 or B5)

Model	A	B	C	D	E	F	G	H	I	J
315-63/71			300	180	295	2				21
	315	375					8	10	355	
315-80			400	220	324	2				21
355-63/71			300	220	295	3				21
	355	425					8	10	395	
355-80/90			400	220	375	3				21
400-63/71/80/90	400	475	400	220	375	3	8	12	450	21
450-63/71/80/90			400	220	375	3				21
	450	530					8	12	500	
450-100/112			450	250	335	3				21/26
500-63/71/80/90			400	220	375	3				21
	500	585					12	12	560	
500-100/112			450	250	435	3				21/26
560-71/80/90			400	220	375	3				21
560-100/112	560	645	450	250	435	3	12	12	620	21/26
560-132			570	300	555	3				26
630-71/80/90			400	250	375	3				21
630-100/112			450	250	435	3				21/26
	630	715					12	12	690	
630-132			570	300	555	3				26
630-160			710	400	685	4				33
710-80/90/100/112			450	250	435	3				21/26
710-132			570	300	555	3				26
710-160	710	795	710	400	685	4	16	12	770	33
710-180			790	500	760	4				42
710-200			840	550	822	5				53
800-80/90/100/112			450	250	435	3				21/26

Model	A	B	C	D	E	F	G	H	J	K
800-132			570	300	555	3	16	12	860	26
800-160	800	885	710	400	685	4				33
800-180			790	500	760	4				42
800-200			840	550	822	5				53
900-80/90/100/112			450	250	435	4	16	15	970	21/26
900-132			570	300	555	4				26
	900	1000								
900-160			710	420	685	4				33
900-180			790	500	760	4				42
1000-80/90/100			450	30	440	4				16
1000-112/132			590	300	570	4	26			
1000-160			790	420	700	5	33			
	1000	1110								
1000-180			790	500	760	5	42			
1000-200			840	550	822	5	53			
1000-225			1000	590	941	6	53			
1120-112/132			590	300	570	4	20	15	1190	
1120-160			790	420	700	5				33
	1120	1240								
1120-180			790	500	760	5				42
1120-200			840	550	822	5				53
1250-112/132			590	300	570	5				20
1250-160			790	420	700	5	33			
1250-180			790	500	760	5	42			
	1250	1380								
1250-200			840	550	822	6	53			
1250-225			1000	590	941	6	53			

Model	A	B	C	D	E	F	G	H	J	K
1250-250			1100	590	1020	6				63
1400-132			590	300	570	5	20	15	1470	26
1400-160			790	420	700	5				33
1400-180			790	500	760	5				42
1400-200			840	550	822	6				53
	1400	1540								
1400-225			1000	590	941	6				53
1400-250			1100	650	1020	6				63
1400-280			1200	800	1147	6				63
1400-315			1400	300	570	6				63



NAME PLATE

Permanent metal nameplate should have clearly identifiable fan number, model number and product serial number (i.e., unique identification for each fan).



ACCEPTANCE INSPECTION

Before delivery, Falvent ensures that each and every fan undergoes a test run and final inspection.



SAFETY

Falvent supply all our tube axial fans with UL & CE marking, which confirms that Falvent products conform to the American & European Machinery Directive and come with the corresponding documentation.



GUARANTEE

Falvent offers a guarantee of 24 months following installation for all fans.



A PARTNERSHIP FOR QUALITY

For most of our customers, purchasing a fan is not just a one-off event, but rather the beginning of a supply relationship that goes on for decades.



VENTILATION SYSTEMS LONG CASED AXIAL FANS

CONTACT US



Al Kharj Industrial City - Riyadh
- Saudi Arabia



+966114600607



info@falvent.com